

PARTS CATALOGUE FOR

MODEL PE-300S

CONTENTS

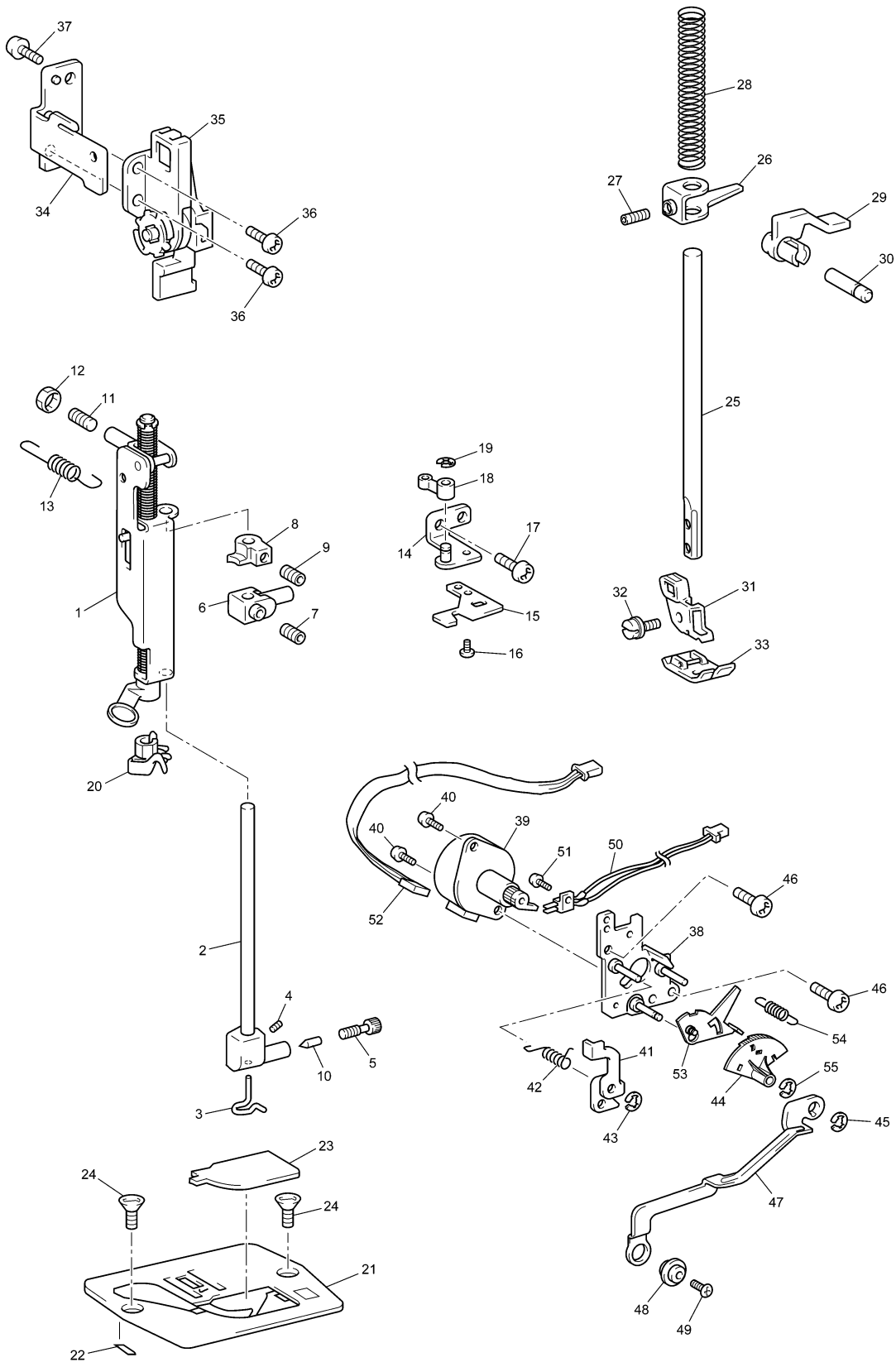
(1) PRINCIPAL PARTS.....	2
(2) NEEDLE BAR, PRESSER BAR AND ZIGZAG.....	4
(3) UPPER SHAFT, THREAD TAKE-UP LEVER, VERTICAL SHAFT AND BOBBIN WINDER.....	6
(4) FEED MECHANISM AND ROTARY HOOK ASSY.....	8
(5) NEEDLE THREADER.....	10
(6) LAMP, MAIN PC BOARD ASSY AND MOTOR UNIT.....	12
(7) EMBROIDERY UNIT.....	14
(8) ACCESSORY.....	16

(1) PRINCIPAL PARTS

No.	CODE	NAME	REMARKS	No.	CODE	NAME	REMARKS
1	XA5062051	Set plate A		44	136681001	Screw B3 × 8	
2	X57908051	Screw S4 × 10		45	XA5089101	Spring	
3	XA5063151	Set plate B		46	XA5090001	Thread cutting shutter	
4	X57908051	Screw S4 × 10		47	XA5091001	Thread cutting shutter cover	
5	XA5541000	Handle guide		48	120454001	Retaining ring CS4	
6	060400616	Screw 4 × 6		49	XA5680000	Thread guard	
7	XA5542001	Handle assembly		50	X55318000	Front cover thread guard	
8	XA6544001	Rear cover for U.S.A., CANADA		51	130157001	Rubber cushion	
	XA6544002	Rear cover		52	138337000	Rubber cushion A	
9	XA6692001	Spool stand bar		53	026350235	Washer 3.5	
10	XA5069001	Spool stand bar shaft		54	138439001	Screw B3.5 × 10	
11	XA5762001	Presser plate		55	XA6546001	Front cover for U.S.A., CANADA	
12	087300517	Screw 3 × 5			XA6548001	Front cover	
13	X59864151	Bobbin presser		56	087411415	Screw B4 × 14	
14	052301606	Screw 3 × 16		57	060400816	Screw 4 × 8	
15	021300106	Nut 3		58	XA6549001	Face plate assy	
16	XA5070151	Spool guide assembly		59	X80321001	NT thread cutter assembly	
17	0A4300806	Screw 3 × 8		60	138384001	Retaining ring CS5	
18	021300106	Nut 3		61	0A4400806	Screw 4 × 8 DA	
19	XA5072101	Thread guide plate assembly		62	XA6551001	Arm cover assembly for U.S.A., CANADA	
20	XA5076001	Thread guide plate			XA6553001	Arm cover assembly	
21	052300606	Screw 3 × 6		63	XA5105001	Accessory case	
22	136681001	Screw B3 × 8		64	X55260002	Spool cap C	
23	XA5077051	Slide lever		65	XA6038001	Front cover spacer A	
24	XA5078051	Spring		66	XA6039001	Front cover spacer B	
25	XA5079051	Slide lever shaft		67	XA6040001	Spring tape	
26	513159001	Washer		68	XA6041001	Rubber	
27	136681001	Screw B3 × 8		69	XA6567001	Decoration plate for PE-300S	
28	130157001	Rubber cushion					
29	XA5763001	Leaf spring					
30	136681001	Screw B3 × 8					
31	087411415	Screw B4 × 14					
32	087411415	Screw B4 × 14					
33	XA5083001	SV key top					
34	XA5084000	SV joint plate					
35	XA5092101	SS button					
36	XA5093001	Reverse sewing					
37	XA5094001	NP button					
38	XA5270001	Assy SSVR					
39	136681001	Screw B3 × 8					
40	XA5085000	Thread guide wire					
41	XA5086201	Thread guide bar sub assy					
42	XA5286101	Assy UTHD					
43	052300606	Screw 3 × 6					

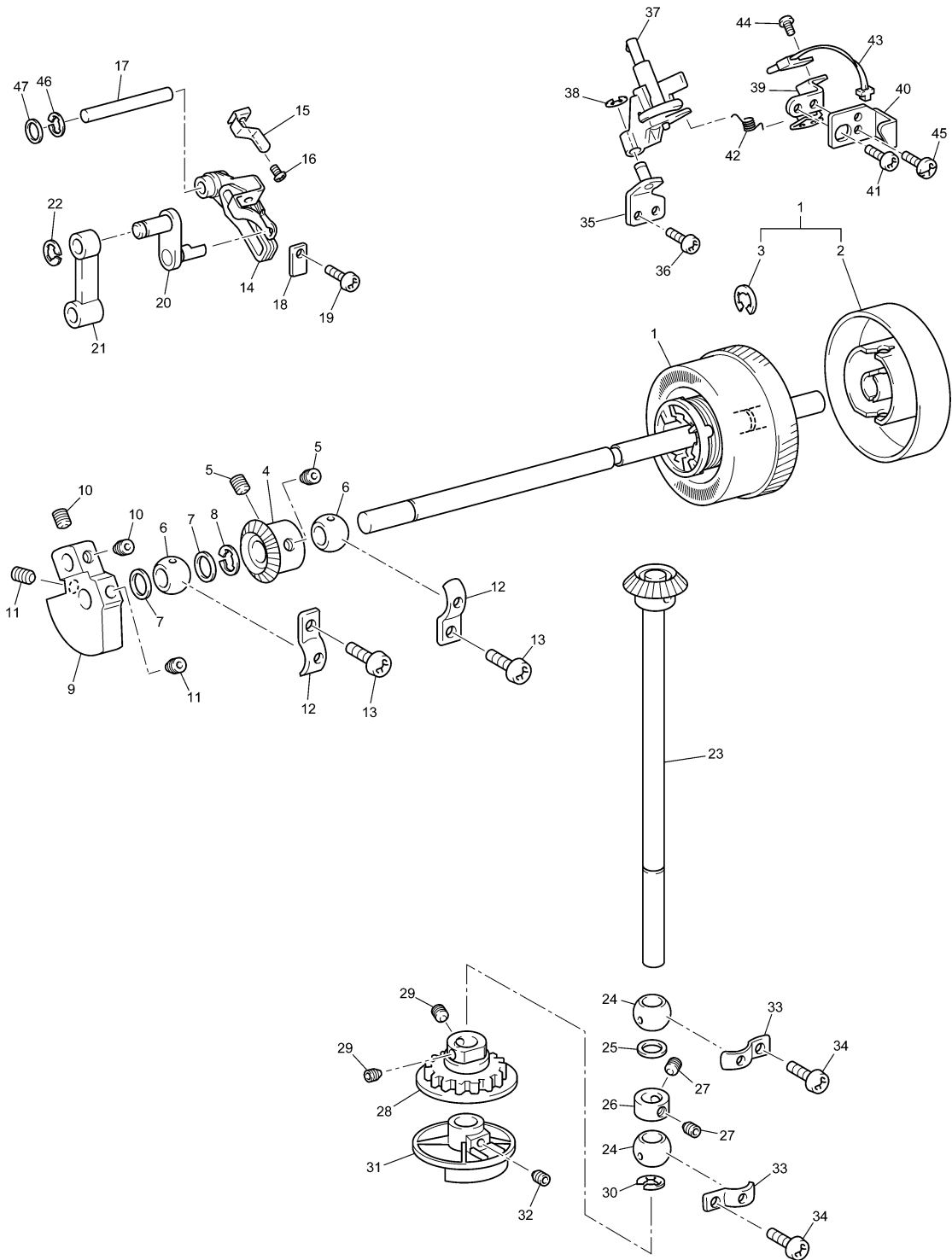
(2) NEEDLE BAR, PRESSER BAR AND ZIGZAG

No.	CODE	NAME	REMARKS	No.	CODE	NAME	REMARKS
1	XA5116101	Thread guide assembly		45	048025346	Stop ring E2.5	
2	XA5129201	Needle bar assembly		46	X57908051	Screw S4 × 10	
3	XA5132100	Needle bar thread guide		47	XA5215201	Zigzag connecting rod	CHG
4	014300332	Screw 3 × 3		48	XA5989000	Zigzag nut	
5	XA5133251	Screw		49	062300616	Screw 3 × 6	
6	XA5134001	Needle bar block assy		50	XA5216101	Assy, PF switch	
7	014400432	Screw 4 × 4		51	062260516	Screw 2.6 × 5	
8	XA5136050	Positioning supporter		52	XA5475001	Assy, Lead wire for Z pm	
9	012400432	Screw 4 × 4		53	XA6019101	Z gear arm assembly	CHG
10	XA5779001	Pin		54	XA6022001	Spring	
11	014401232	Screw 4 × 12		55	048020346	Stop ring E2	
12	X56851051	Nut					
13	XA5137051	Spring					
14	XA5138151	H shaft holder sub assy					
15	XA5247051	Thread guide					
16	060300416	Screw 3 × 4					
17	X57908051	Screw S4 × 10					
18	X51927000	Needle bar supporter arm					
19	048020346	Stop ring E2					
20	XA1854001	Threader hook assembly					
21	XA5141001	Needle plate assembly					
22	X80321001	NT thread cutter assembly					
23	X56828151	Needle plate cover					
24	X50487001	Screw M4					
25	XA5153051	Presser bar					
26	XA5154051	Presser bar bracket					
27	014401032	Screw M4 × 10					
28	XA5155051	Spring					
29	XA5156151	Presser foot lifter					
30	XA5157151	Stud for presser foot lifter					
31	129855001	Presser holder assembly					
32	XA4813051	Screw 3.57					
33	X51953001	Zigzag presser foot					
34	XA5166051	BH switch base plate					
35	XA5158001	BH switch assembly					
36	060300616	Screw 3 × 6					
37	X57908051	Screw S4 × 10					
38	XA5206151	ZPM holder sub assembly					
39	Z26551001	BP483523LM33ZPM					
40	060300416	Screw 3 × 4					
41	XA5212051	Release lever					
42	XA5213151	Spring					
43	048025346	Stop ring E2.5					
44	XA6018000	Z gear					



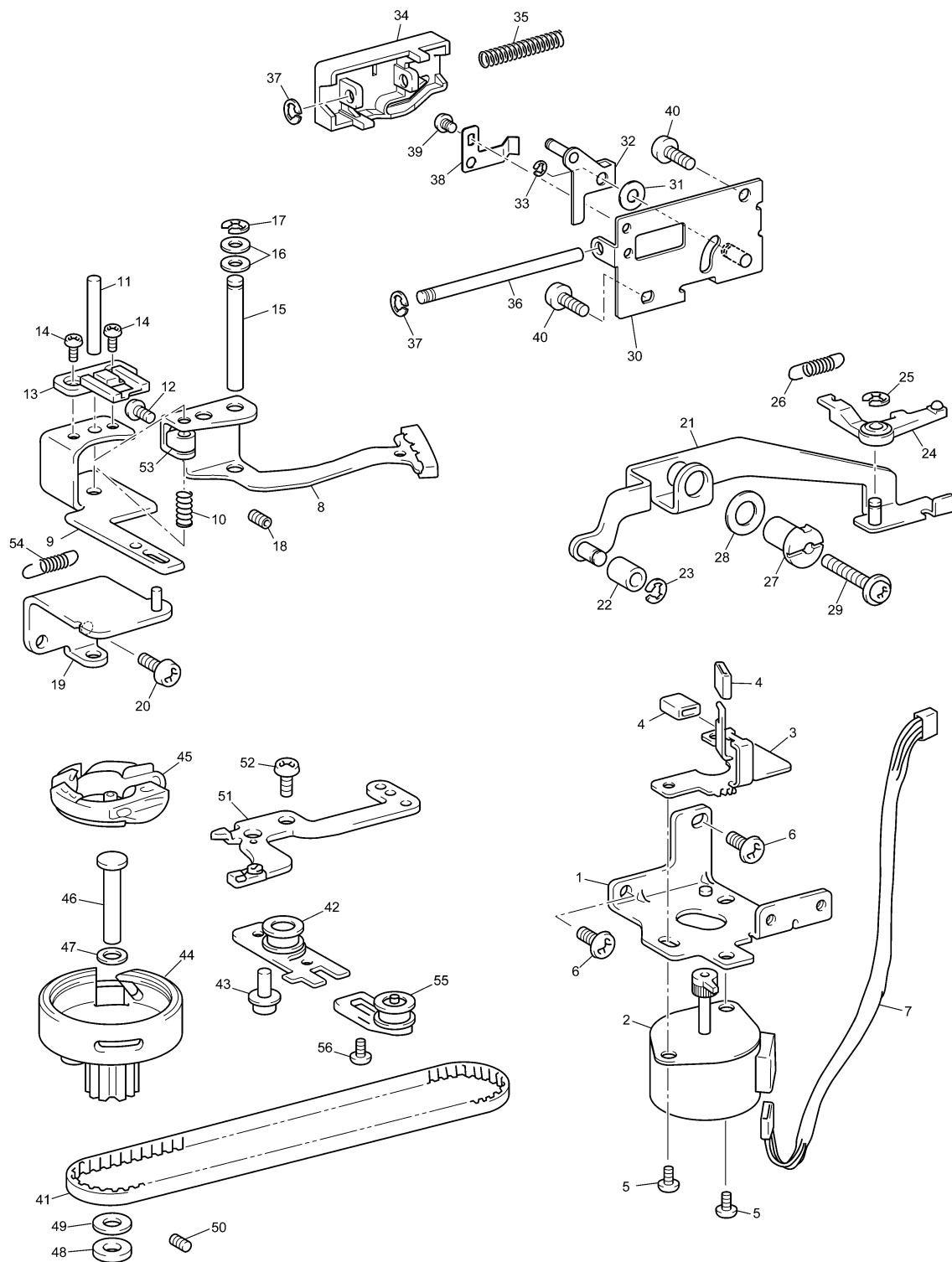
(3) UPPER SHAFT, THREAD TAKE-UP LEVER, VERTICAL SHAFT AND BOBBIN WINDER

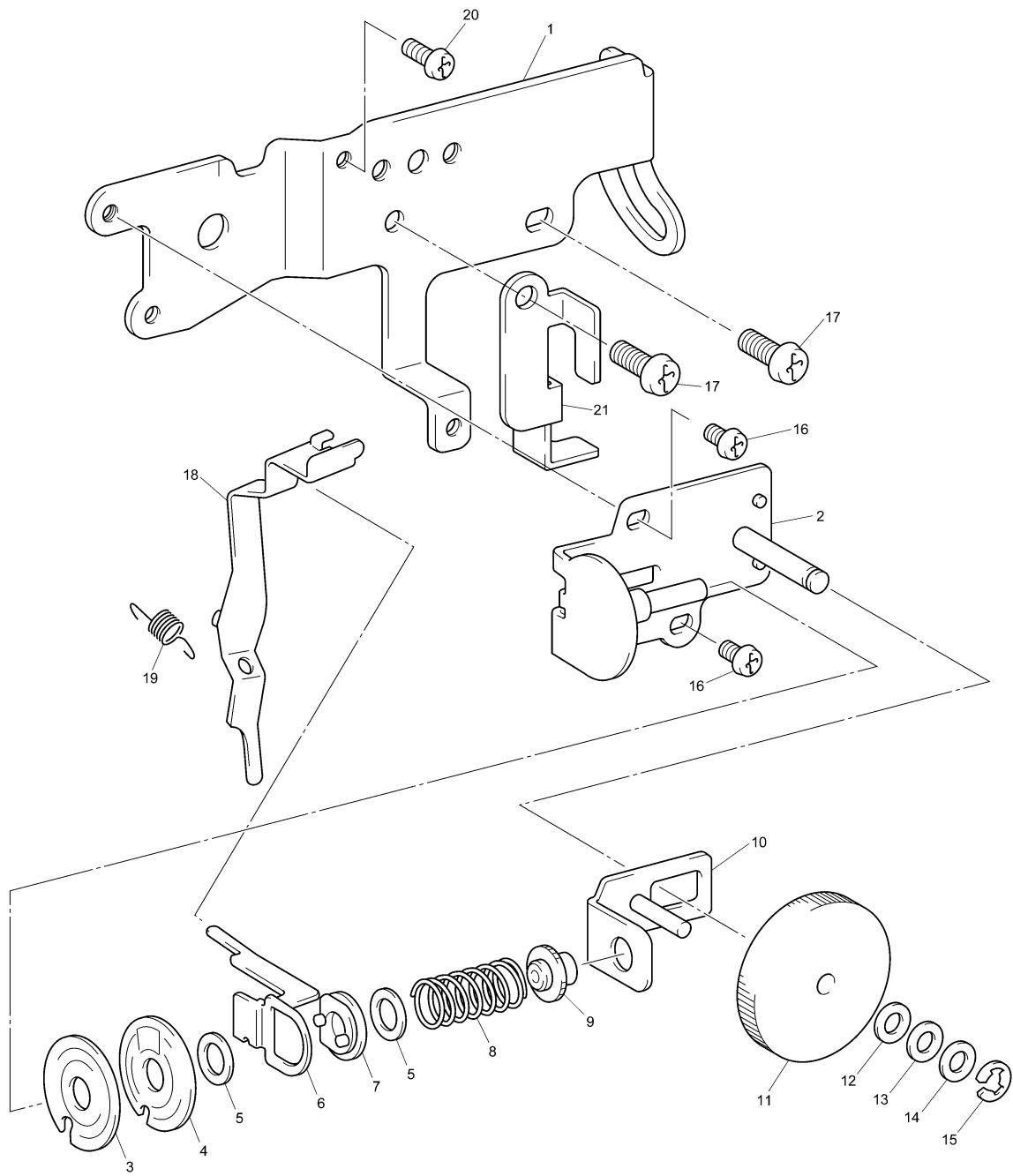
No.	CODE	NAME	REMARKS	No.	CODE	NAME	REMARKS
1	X81086001	Upper shaft assembly		45	060400816	Screw 4 × 8	
2	XA5109151	Pulley		46	XA1866001	Washer, spring	
3	048060346	Stop ring E6		47	048050346	Stop ring E5	
4	X55154000	Upper shaft gear					
5	014500532	Screw 5 × 5					
6	132420000	Horizontal feed shaft bushing					
7	X51383000	Washer					
8	048060346	Stop ring E6					
9	XA5114050	Thread take-up counter weight					
10	014500532	Screw 5 × 5					
11	012500532	Screw 5 × 5					
12	132421001	Bushing presser					
13	X57908051	Screw S4 × 10					
14	XA6110001	Thread take-up lever					
15	XA5703200	Thread presser plate					
16	008020306	Screw 2 × 3					
17	XA5149151	Take-up lever shaft					
18	X50532001	Shaft presser plate					
19	X57913051	Screw S4 × 16					
20	X55193101	Needle bar crank assembly					
21	X55197050	Needle bar crank rod					
22	048040346	Stop ring E4					
23	XA5751001	Vertical shaft sub assy					
24	132420000	Horizontal feed shaft bushing					
25	X51383000	Washer					
26	137768151	Set screw collar					
27	014400432	Screw 4 × 4					
28	XA5221001	Vertical shaft pulley					
29	014400432	Screw 4 × 4					
30	048060346	Stop ring E6					
31	XA5222051	Timing shutter					
32	014400432	Screw 4 × 4					
33	132421001	Bushing presser					
34	X57908051	Screw S4 × 10					
35	XA5223051	Bobbin winder plate A assembly					
36	X57908051	Screw S4 × 10					
37	XA5225001	Bobbin winder pulley assembly					
38	048040346	Stop ring E4					
39	XA5230151	Bobbin winder spring plate					
40	XA6037001	Set plate					
41	X57908051	Screw S4 × 10					
42	XA5231251	Bobbin winder spring					
43	XA5232001	Assy, BW switch					
44	062260516	Screw 2.6 × 5					



(4) FEED MECHANISM AND ROTARY HOOK ASSY

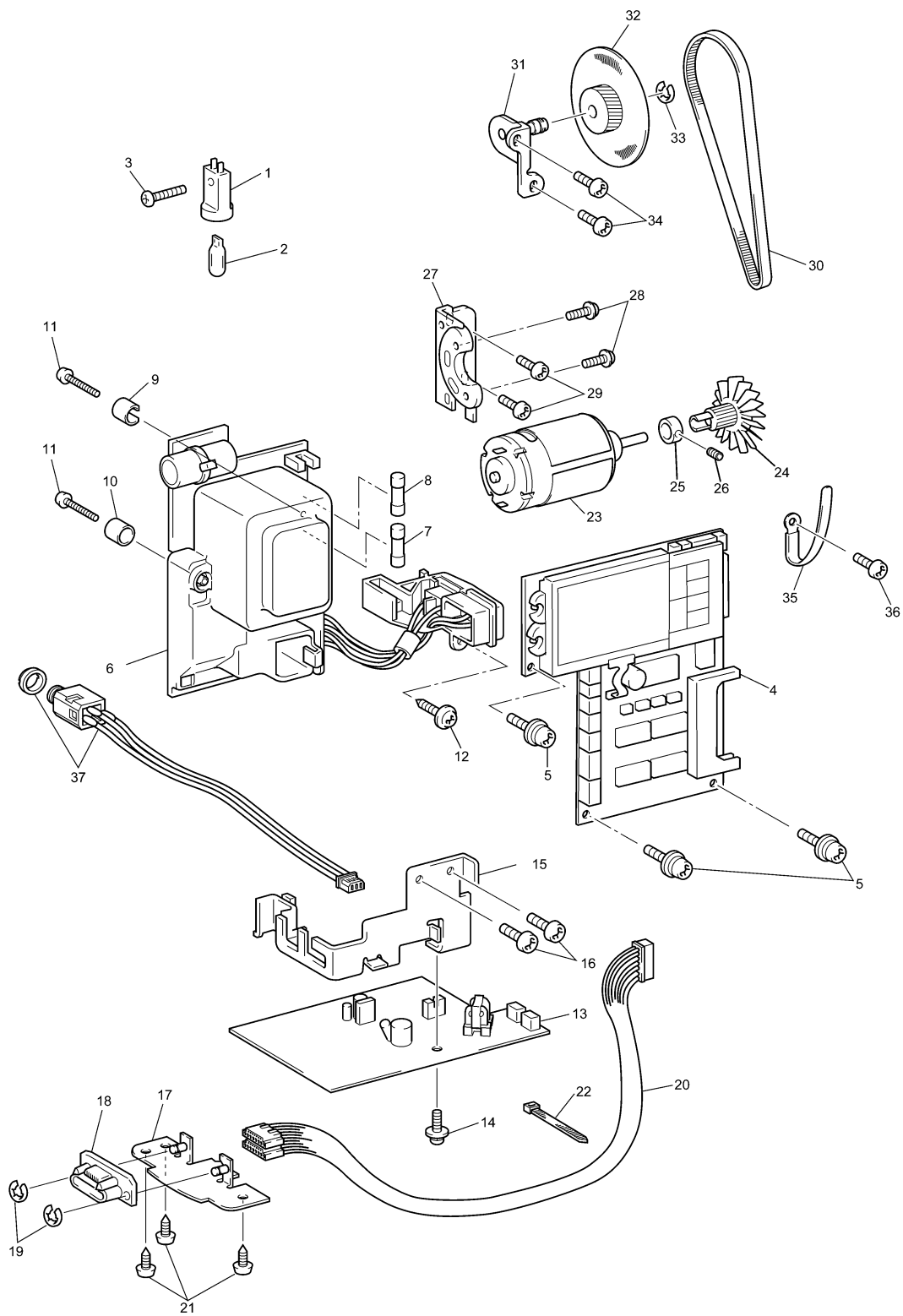
No.	CODE	NAME	REMARKS	No.	CODE	NAME	REMARKS
1	XA5167250	FPM holder		45	XA5619101	Inner rotary hook assembly	
2	Z26555001	BP483523LM34FPM		46	XA0360051	Outer rotary hook shaft	CHG
3	XA5169251	Initial plate		47	XA2190000	Washer U	
4	XA2189050	Initial rubber		48	XA0361000	Washer	
5	052300606	Screw 3 × 6		49	XA0362001	Washer	
6	X57908051	Screw S4 × 10		50	014400632	Screw 4 × 6	
7	XA5168001	Assy lead wire for F PM		51	XA5710101	Inner rotary hook bracket assembly	
8	XA5171101	Feed gear		52	060400816	Screw 4 × 8	
9	XA5172001	Feed bar		53	XA6105000	Bush	
10	XA5173051	Spring		54	XA6263001	Spring	
11	XA5174151	Guide shaft		55	XA6319051	Supporting pulley assembly	
12	060300416	Screw 3 × 4		56	060400616	Screw M4 × 6	
13	X55212101	Feed dog					
14	060300416	Screw 3 × 4					
15	XA5175051	Horizontal feed shaft					
16	X53027000	Washer					
17	048040346	Stop ring E4					
18	014400632	Screw 4 × 6					
19	XA5176051	Guide pin holder assembly					
20	X57908051	Screw S4 × 10					
21	XA5180051	Up-down feed arm assembly					
22	XA5184050	Bush					
23	048030346	Stop ring E3					
24	XA5185050	Drop lever					
25	048030346	Stop ring E3					
26	XA5186051	Spring					
27	XA5187050	Collar					
28	131976000	Washer					
29	0A4403005	Screw 4 × 30 DA					
30	XA5189051	Drop holder sub assy					
31	X53027000	Washer					
32	XA5192051	Drop plate assembly					
33	048030346	Stop ring E3					
34	XA5195001	Drop knob					
35	XA5196051	Spring					
36	XA5197051	Drop knob shaft					
37	048030346	Stop ring E3					
38	XA5611001	Spring, plate					
39	060300416	Screw 3 × 4					
40	X57908051	Screw S4 × 10					
41	X55323001	Timing belt 150 XL 015					
42	XA6305051	Belt tension pulley assembly					
43	XA5901001	Upset 4 × 14 DB					
44	XA5203101	Outer rotary hook assembly					





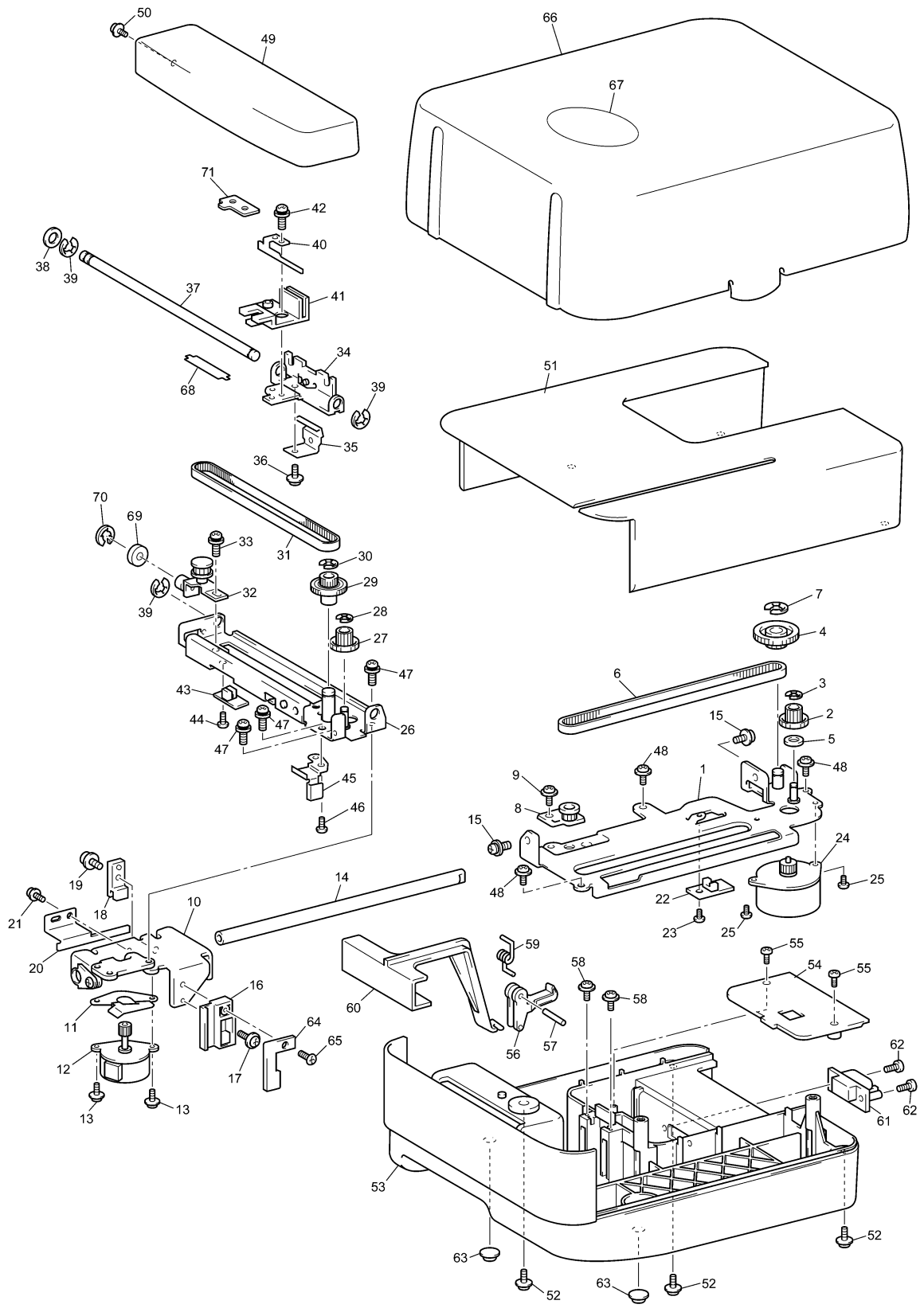
(6) LAMP, MAIN PC BOARD ASSY AND MOTOR UNIT

No.	CODE	NAME	REMARKS
1	XA5248001	Assy WB lamp	
2	X50228001	WB lamp	
3	085301415	Screw P3 14	
4	X81137001	Main PC board assembly for 120V	
	X81145001	Main PC board assembly for 230V	
5	052300606	Screw 3 6	
6	X81138001	Power supply unit assembly for 120V	
	X81139001	Power supply unit assembly for 230V	
7	X55397001	G fuse 3.15AA for 120V	
	XA0069001	Glass fuse, 2AT for 230V	
8	X53477001	G fuse 3.15AB for 230V	
9	XA5373051	Power unit cover B	
10	XA5374051	Power unit cover C	
11	0A5403005	Screw 4 30 DB	
12	XA5278001	Screw P4 14	
13	XA6511001	NP board assembly #2	
14	0A5301005	Screw 3 10DB	
15	XA5284151	Set plate C	
16	060300516	Screw 3 5	
17	XA5289151	Connector holder assembly	
18	X56302001	Connector 176496	
19	048025346	Stop ring E2.5	
20	XA5267001	Assy, lead wire for XY PM	
21	136681001	Screw B3 8	
22	124240001	Band #2	
23	XA6574001	Assy, main motor for 120V	
	XA6531001	Assy, main motor for 230V	
24	XA5295001	MM pulley 2GT	
25	130676151	Set screw collar	
26	014400632	Screw 4 6	
27	XA5296151	Motor holder	
28	X50020001	Screw 3 10 DA	
29	138172001	Screw 4 10 DA	
30	XA5297101	Timing belt 258-2GT for 120V	CHG
	XA7677001	Timing belt 258-T30N31 for 230V	ADD
31	XA5298051	Pulley holder assembly	
32	XA5301001	Idol pulley	
33	048050346	Stop ring E5	
34	X57908051	Screw S4 10	
35	T31049001	Clip CS-6 for 120V	
36	X57908051	Screw S4 10 for 120V	
37	X81140001	Pin jack assembly	



(7) EMBROIDERY UNIT

No.	CODE	NAME	REMARKS	No.	CODE	NAME	REMARKS
1	XA5302001	Main frame assembly		45	XA5346050	Cord holder	
2	XA5306000	X gear		46	060300416	Screw 3 × 4	
3	048030346	Stop ring E3		47	052300606	screw 3 × 6	
4	XA5307000	X driving gear		48	087411415	Screw B4 × 14	
5	X53330000	Washer		49	XA6558001	Carriage cover	
6	X58715001	Timing belt 40S2M400		50	052300606	Screw 3 × 6	
7	048060346	Stop ring E6		51	XA6559001	ES cover U	
8	XA5308051	X tension pulley assembly		52	087411415	Screw B4 × 14	
9	0A6400806	Screw 4 × 8		53	XA6024001	ES cover D assy	
10	XA5312001	X carriage supporter assembly		54	XA5348051	ES cover D spacer	
11	XA5314050	Cord guide		55	136681001	Screw B3 × 8	
12	XA5315001	Y pulse motor		56	XA5349050	Rock finger	
13	052300606	Screw 3 × 6		57	XA0814001	Pin G 4 × 20	
14	XA5316001	X guide shaft		58	087411415	Screw B4 × 14	
15	052400806	Screw 4 × 8		59	XA2157051	Spring	
16	XA5317150	X slider		60	XA5350051	Rock finger button	
17	052400806	Screw 4 × 8		61	X56302001	Connector 176496	
18	XA5318100	X belt presser		62	138444001	Screw B4 × 14	
19	052400806	Screw 4 × 8		63	X59853000	Rubber cushion	
20	XA5319100	X shutter		64	XA5352000	Cord presser	
21	575039003	Screw 3 × 5 DA		65	136681001	Screw B3 × 8	
22	XA5320101	Assy, X initial sensor		66	XA6560001	ES unit cover assembly for U.S.A., CANADA	
23	060020416	Screw M2 × 4			XA6562001	ES unit cover assembly	
24	XA5323001	X pulse motor		67	XA6564001	Es cover sheet	
25	575039003	Screw 3 × 5 DA		68	XA6281000	Y presser plate	
26	XA5324101	X carriage assembly		69	XA6152051	Roller assembly	
27	XA5328000	Y gear		70	048020346	Stop ring E2	
28	048020346	Stop ring E2		71	XA6334000	Shutter presser plate	
29	XA5329000	Y driving gear pulley					
30	048060346	Stop ring E6					
31	XA5330001	Timing belt 40S2M316					
32	XA6151051	Y tension pulley assembly					
33	052300606	Screw 3 × 6					
34	XA5338001	Y carriage					
35	XA5339101	Notched spring					
36	575039003	Screw 3 × 5 DA					
37	XA5340151	Y guide shaft					
38	103810002	Spring					
39	048040346	Stop ring E4					
40	XA5341000	Y shutter					
41	XA5342100	Y slider					
42	052300606	Screw 3 × 6					
43	XA5343001	Assy, Y initial sensor					
44	060020416	Screw 2 × 4					



(8) ACCESSORY

No.	CODE	NAME	REMARKS
1	X57789101	Button hole foot	
2	X51162001	Overcasting stitch-foot	
3	X56409001	Blind stitch foot	
4	103561002	Monogramming foot	DEL
5	X54243001	Seam ripper	
6	XA6627001	Needle set	
7	130012003	Spool cap A	
8	128369003	Accessory bag	
9	XA4527001	Cleaning brush	
10	XA2005051	Needle plate fixing metal	
11	XA5357001	Embroidery foot assembly	
12	184783001	Scissors	
13	XA5752001	Spool cap (small)	
14	XA6628001	Embroidery flame S2M(UPC)	
	XA6628002	Embroidery flame S2M(EAN)	
15	XA6630001	Embroidery flame S2S(UPC)	
	XA6630002	Embroidery flame S2S(EAN)	
16	XA3336051	Spool pin	
17	X57045001	Felt	
18	X59375051	Button fitting foot	
19	127610000	Net	
20	XA1391001	Packing material	
21	X61246001	Carton for U.S.A., CANADA	
	X61247001	Carton	
22	X61248001	Styrofoam	
23	X61188100	PE sheet	
24	XA6565001	Caution sheet	
25	XA2815051	Power supply cord for CSA	
	XA0070051	Power supply cord for CEE	
	X59328051	Power supply cord for SAA	
	X57079001	Power supply cord for BS	
26	XA3931051	FC-306-81 controller	
27	191145011	Instruction manual(English)	
	191145012	Instruction manual(Spanish)	
	191145013	Instruction manual(German)	
	191145014	Instruction manual(Dutch)	
	191145015	Instruction manual(French)	
	191145016	Instruction manual(Italian)	



PE-300S
H8080133